

80-240W LED LOW PROFILE HIGH BAY



JAYKAL

PROJECT NAME:

JAYKAL LED SOLUTIONS, INC.

www.jaykal.net

21499 Baltimore Ave.

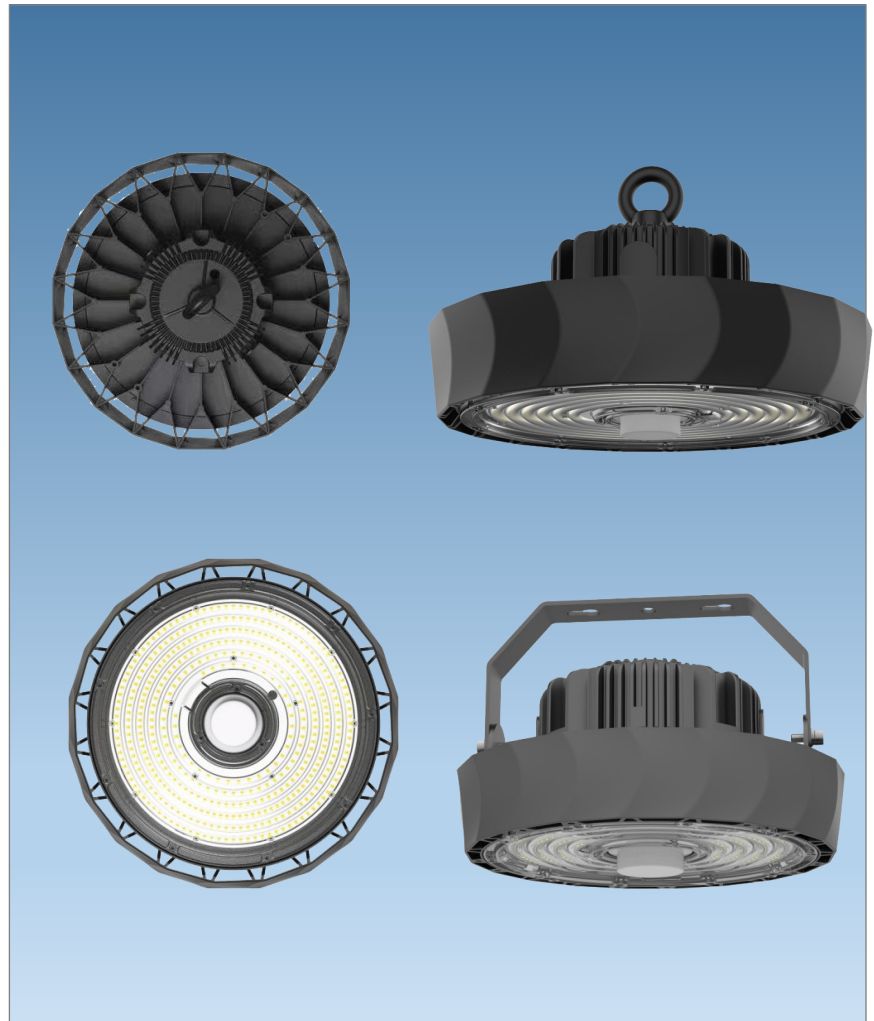
Georgetown, DE 19947

(P) 302-295-0015 (F) 302-295-0016

PROJECT NOTES:

FEATURES

- ◆ Wattage: 80-240 Watts
- ◆ CCT: MCCT(3000K, 4000K, 5000K)
- ◆ 0-10V Dimmable
- ◆ Voltage: 100-277 VAC /277-480VAC, 50/60 Hz
- ◆ Black Aluminum + Polycarbonate Optics
- ◆ IP65 Rated for Wet Locations
- ◆ 5 Year Warranty, 10 Year Option



Revised 10/26/23

Specifications are typical values and may change without notification

efficiency. illuminated.

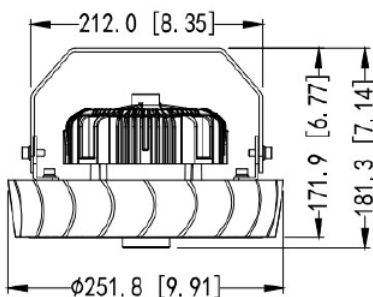
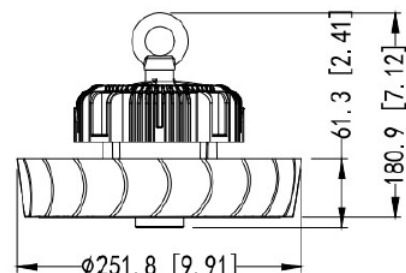
80-240W LED LOW PROFILE HIGH BAY



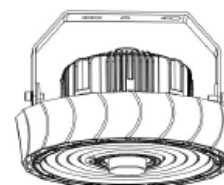
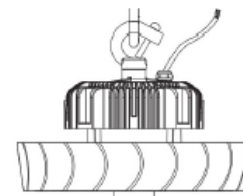
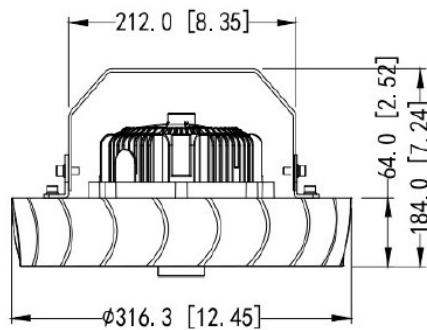
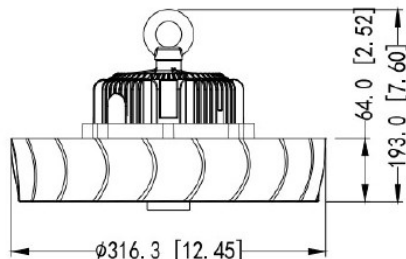
JAYKAL

Dimensions

M1(80W/100W/150W)



M2(150W/200W/240W)



Accessories

Programmable Bi-Level Dimming Sensor - Optional



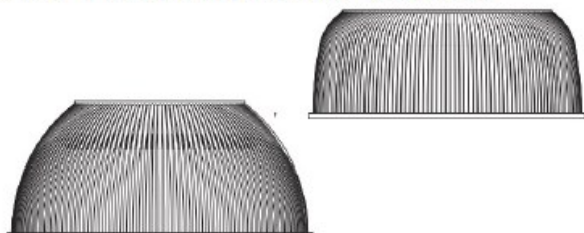
When the control senses movement, it raises the fixture's light level to 100% output and remains at full brightness as long as it senses movement. When movement is no longer detected, its internal timer begins counting. If the set period of time expires, the fixture will dim down to your selected dimming level (50%, 30%, 20% or 10% light output). Then, depending on your selected timer settings, the fixture can either remain at this dimmed level for a continuous amount of time, or, turn completely off after a set period of inactivity. Once the fixture senses movement, it will return to full output and the process begins again.

Bi-Level sensor preset: 5 minutes hold time till dim to 30%, standby for another 10 minutes until completely turn-off. Wireless Programming Device sold separately.

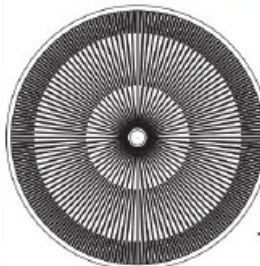
60°/ 90°/120° Aluminum Reflector (optional)



60°/90° Prismatic Reflector (optional)



Prismatic Drop Lens (optional)



Note: require reflector, can only affix one accessory to a reflector.



(P) 302-295-0015 | (E) sales@jaykal.net | (W) www.jaykalusa.com

Specifications are typical values and may change without notification

efficiency. illuminated.

80-240W LED LOW PROFILE HIGH BAY



JAYKAL

SPECIFICATIONS TABLE		
TYPE	M1	M2
WATTAGE	80W/100W/150W	150W/200W/240W
DRIVER	100-277VAC / 277-480VAC 50/60HZ	
EFFICACY	155 lm/W	
LUMENS	12,400/15,500/23,250 lm	15,500/31,000/37,200 lm
POWER FACTOR	>0.9	
CRI	>70	
THD	<15%	
L70 HOURS	140,000+ hours	
CCT	MCCT (3000K/4000K/5000K adjustable)	
OPERATIONAL TEMP.	-20°C - 50°C	
DIMMING	0-10V	
DIMMING CURRENT	<3mA	
HOUSING MATERIAL	Aluminum	
LENS MATERIAL	Polycarbonate	
HOUSING FINISH	Black	
MOUNTING	Hook Mount, Eye Ring, Trunnion Mount	
DIMENSIONS	7.12 x 9.91 inches	
WARRANTY	5-year Warranty, 10 Year Option	
IP RATING	IP65 Indoor / Wet Location	

ORDERING GUIDE		JLS-G4HB-M1-277-MCCT-HM-PC-120-M							
MODEL	WATTAGE	VOLTAGE	CCT	MOUNT	REFLECTOR	BEAM	SENSOR	OPTIONS	
JLS-G4HB	M1 = 80W/100W/150W M2 = 150W/200W/240W	277 = 100-277VAC 480 = 277-480VAC	MCCT = 3000K/4000K/5000K	HM = Hook ER = Eye Ring TM = Trunnion	AL = Aluminum Reflector PC = Polycarbonate Reflector	120 = 120°	Blank = None M = Motion	Blank = No option WG = Wire Guard PM1 = 1/2" Pedant Mount PM2 = 3/4 Pedant Mount	

Specifications are typical values and may change without notification

efficiency. illuminated.