

20 WATT LED FLOOD LIGHT



JAYKAL

PROJECT NAME:

JAYKAL LED SOLUTIONS, INC.

www.jaykal.net

PROJECT NOTES:

26832 Lewes Georgetown Hwy,
Building 2, Unit E
Harbeson, DE 19951
(P) 302-295-0015
(F) 302-295-0016

FEATURES

- ◆ Lumileds LEDs Offer High Luminous Efficiency and Long Life.
- ◆ Lumen Package 114lm/W
- ◆ High Efficiency LED Driver
- ◆ Wide Voltage Input: 100-277VAC
- ◆ Cast Aluminum Construction Provides Superior Cooling Performance, LED $T_j < 85$
- ◆ Excellent Optical Design Optimizes Light Utilization and Distribution.
- ◆ Photocell Control Available (Option)



RoHS 
Compliant

Revised 2/17/20

Specifications are typical values and may change without notification

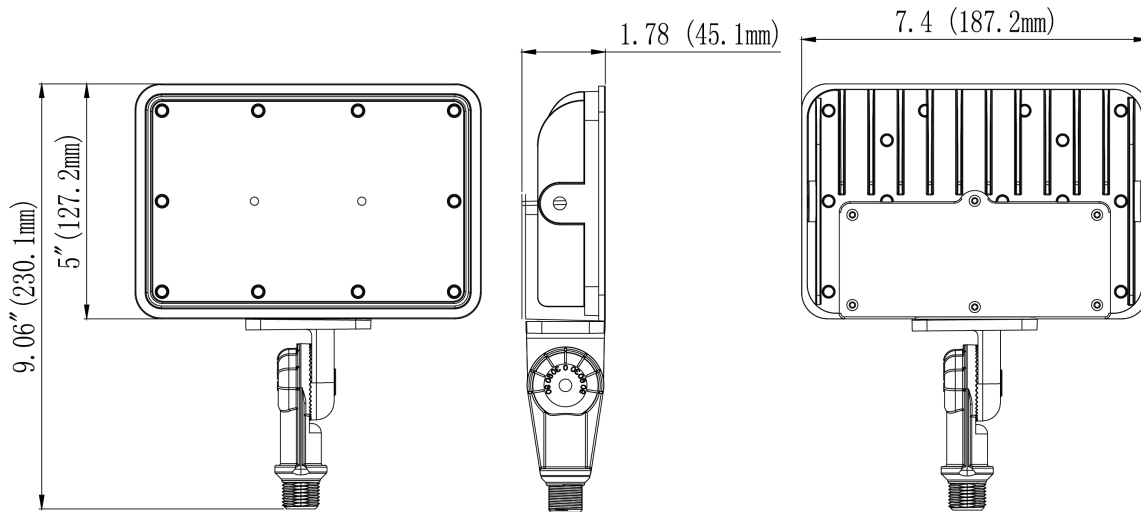
efficiency. illuminated.

20 WATT LED FLOOD LIGHT



JAYKAL

SPECIFICATIONS TABLE					
WATTAGE	20W	LUMENS	2,462lm	EFFICACY	114lm/W
INPUT VOLTAGE	100-277VAC 50/60hz	POWER FACTOR	0.95	CRI	> 80
THD	< 14 %	CCT	3000K / 4000K / 5000K / 6500K		
LIFE (L70)	50,000 hours	BEAM ANGLE	101°	OPERATIONAL TEMP.	-30°C -+45°C
HOUSING FINISH	Dark Bronze / White			PROTECTION	IP65
HOUSING MATERIAL	Aluminum Die-Cast	LENS MATERIAL	Polycarbonate	ENVIRONMENT	Wet Locations
WEIGHT	3.04 lbs.	DIMENSIONS	9.06 x 7.4 x 1.78 in		
		WARRANTY	5 Year Standard, 10 Year Available		



Knuckle

Trunnion

ORDERING GUIDE		EXAMPLE: JLS68103-G2FL-20-277-50K-D-K-PC			
MODEL	VOLTAGE	CCT	FINISH	MOUNT	CONTROL
JLS68103-G2FL-20	277 = 120-277VAC	30K = 3000K 40K = 4000K 50K = 5000K 57K = 5700K	D = Dark Bronze W = White	K = Knuckle T = Trunnion	BLANK = None PC = Photo Cell



Not all product variations listed on this page are DLC qualified. Visit www.designlights.org/search to confirm qualification.

Contact Jaykal for additional product approval.

Specifications are typical values and may change without notification

efficiency. illuminated.