



G2 ADJUSTABLE TILT WALL PACK

JAYKAL

PROJECT NAME:	JAYKAL LED SOLUTIONS, INC. www.jaykal.net 21499 Baltimore Ave. Georgetown, DE 19947 (P) 302-295-0015 (F) 302-295-0016
PROJECT NOTES:	

FEATURES

- ◆ Lumen Package: 130lm/W
- ◆ Input Voltage 120 - 347VAC
- ◆ Adjustable 0-90°
- ◆ Glare Free Lens
- ◆ Photocell and Motion Sensor Control Available (Option)



Revised 9/7/23

Specifications are typical values and may change without notification

efficiency. illuminated.



G2 ADJUSTABLE TILT WALL PACK

JAYKAL

SPECIFICATIONS TABLE			
MODEL	G2LPFC-M1	G2LPFC-M2	G2LPFC-M3
WATTAGE	40W/30W/20W/10W	80W/60W/40W/20W	120W/100W/60W/30W
LUMENS	5,200/3,900/2,600/1,300	10,400/7,800/5,200/2,600	15,600/13,000/7,800/3,900
INPUT VOLTAGE	120-347VAC		
BUG RATING	B2-U1-G1	B3-U2-G1	B3-U2-G2
POWER FACTOR (PF)	>0.95		
EFFICACY	130lm/W		
OPERATIONAL TEMP.	-30°C - +45°C		
CRI	>80		
CCT	MCCT(3000K / 4000K / 5000K Selectable)		
DIMMING	0-10V		
DIMMING POWER RATING	<1mA		
HOUSING MATERIAL	Die-Cast Aluminum		
OPTIONS	Photocell / Motion Sensor		
DIFFUSER	Plastic		
HOUSING COLOR	Dark Bronze		
IP RATING	IP65 / Wet Location		
DIMENSIONS (in.)	6.5L x 5.14W x 7.77H	8.5L x 6.07W x 9.24H	10.52L x 6.32W x 10.7H
LIFE (L70)	>100,000 Hours		
FCC	FCC Title 47 CFR Part 18 compliance		
CERTIFICATION	ETL, DLC		

ORDERING INFORMATION		EXAMPLE: JLS-G2LPFC-M2-MCCT-PC				
MODEL	-	WATTAGE	-	CCT	-	OPTIONS
JLS-G2LPFC		M1 = 40W/30W/20W/10W M2 = 80W/60W/40W/20W M3 = 120W/100W/60W/30W		MCCT = 3000K/4000K/5000K Selectable		Blank = No extra option PC = Photocell M = Motion Sensor

Specifications are typical values and may change without notification

efficiency. illuminated.

G2 ADJUSTABLE TILT WALL PACK

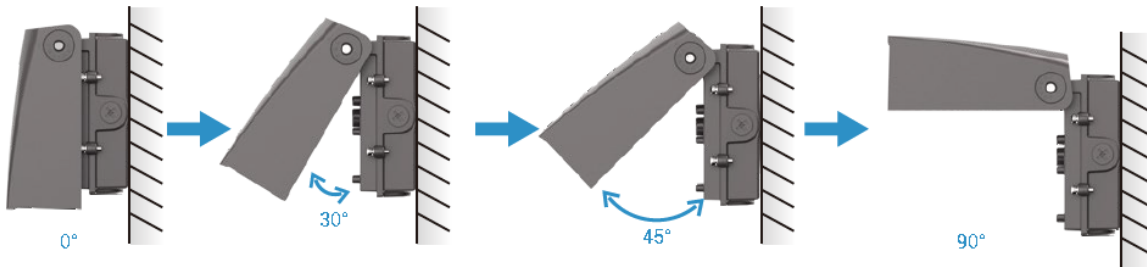


JAYKAL

FEATURES

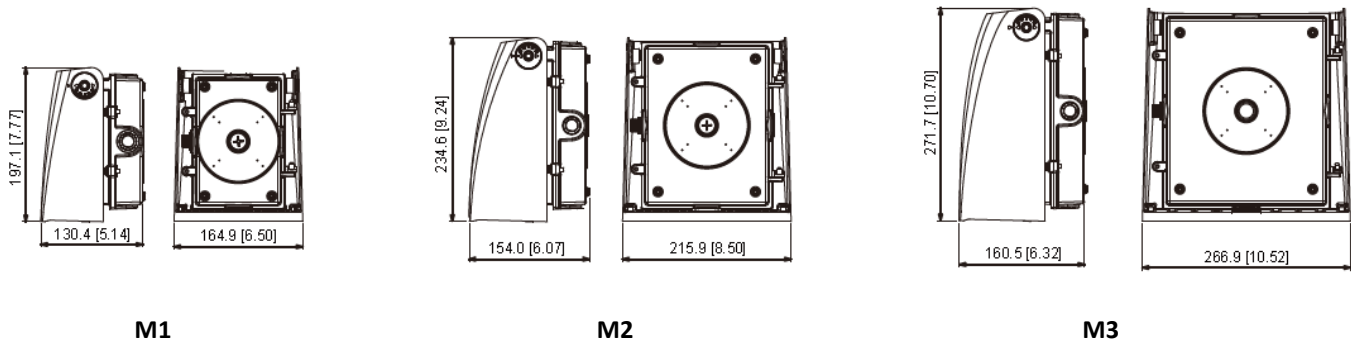


ADJUSTABLE TILT FROM 0 TO 90 DEGREES



DIMENSIONS

Unit : mm/inch



Specifications are typical values and may change without notification

efficiency. illuminated.