

# LED BARN LIGHTS



**JAYKAL**

PROJECT NAME:

**JAYKAL LED SOLUTIONS, INC.**

[www.jaykal.net](http://www.jaykal.net)

PROJECT NOTES:

21499 Baltimore Ave.  
Georgetown, DE 19947  
(P) 302-295-0015  
(F) 302-295-0016

## FEATURES

- ◆ Wattages Available: 20W/40W/50W/60W/70W
- ◆ Voltage Input 120-277VAC 50/60Hz
- ◆ Aluminum Construction
- ◆ Light Weight Design Makes Installation Effortless
- ◆ Photocell Control Available (Option)



**RoHS**   
Compliant

Revised 9/8/23

*Specifications are typical values and may change without notification*

**efficiency. illuminated.**

# LED BARN LIGHTS



**JAYKAL**

SPECIFICATIONS TABLE					
MODEL	JLS-YD				
INPUT VOLTAGE	120-277VAC 50/60Hz				
WATTAGE	20W	40W	50W	60W	70W
EFFICACY	145 lm/W				
LUMENS	2,900lm	5,800lm	7,250lm	8,700lm	10,150lm
BUG RATING	B1-U2-G0	B2-U2-G1	B2-U2-G1	B3-U2-G1	B3-U2-G1
POWER FACTOR	>0.9				
EFFICIENCY OF DRIVER	>88%				
DRIVER CLASS	Class I				
THD	<20%				
CRI	Ra>70				
L70 HOURS	>50,000				
CCT	3000K/4000K/5000K				
SURGE PROTECTION	L-N: 2KV L/N-PE: 4KV				
DIMMING	0-10V				
DIMMING POWER	<1mA				
OPERATIONAL TEMP.	-30°C to 45°C				
IP RATING	IP65				
HOUSING	Aluminum				
FCC	FCC Title 47 CFR Part 18 compliance				
CERTIFICATIONS	UL/Comply with DLC				

ORDERING GUIDE		EXAMPLE: JLS-YD-40-277-750K-B-D-P				
MODEL	WATTAGE	VOLTAGE	CCT	FINISH	DIMMING	CONTROL
JLS-YD	20 = 20 Watts 40 = 40 Watts 50 = 50 Watts 60 = 60 Watts 70 = 70 Watts	277 = 120-277VAC	730K = 4000K 740K = 4000K 750K = 5000K	B = Black BR = Bronze	D = Dimming N = No dimming	Blank = No option P = Photocell

*Specifications are typical values and may change without notification*

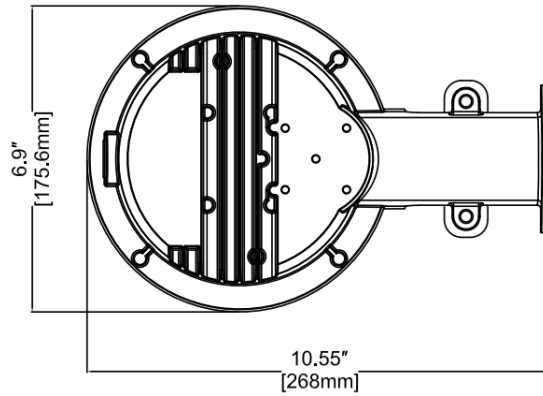
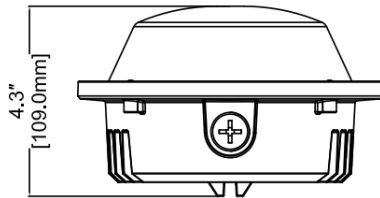
**efficiency. illuminated.**

# LED BARN LIGHTS

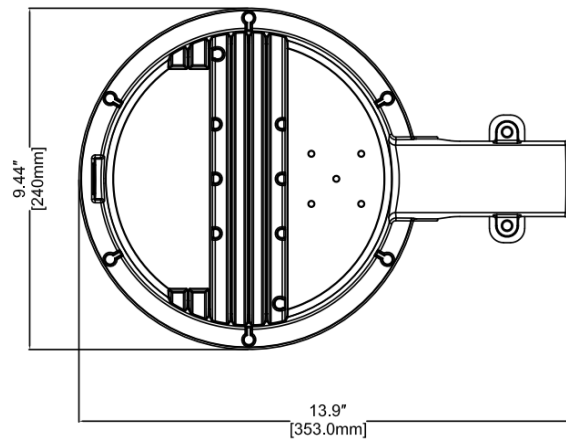
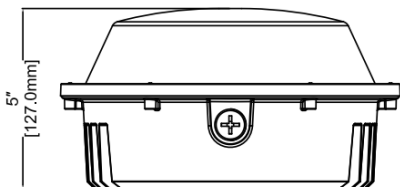


JAYKAL

## DIMENSIONS



**20W/40W**



**50W/60W/70W**

*Specifications are typical values and may change without notification*

**efficiency. illuminated.**