



T8 TYPE B LED TUBE - 0-10V Dimmable

JAYKAL

PROJECT NAME:

JAYKAL LED SOLUTIONS, INC.

www.jaykal.net

PROJECT NOTES:

21499 Baltimore Ave.

Georgetown, DE 19947

(P) 302-295-0015

(F) 302-295-0016

KEY FEATURES

- ◆ Integrated 0-10V Dimming Driver
- ◆ Optional Housing : Glass/Nano Polycarbonate
- ◆ Simple Installation & Replacement
- ◆ Shatterproof Design
- ◆ Warranty : 5 years



ETL CLASSIFIED



RoHS 
Compliant

Revised 5/18/23

Specifications are typical values and may change without notification

efficiency. illuminated.



T8 TYPE B LED TUBE - 0-10V Dimmable

JAYKAL

SPECIFICATIONS TABLE

INPUT VOLTAGE	120-277VAC 50/60hz			
LENGTH	2FT	3FT	4FT	
WATTAGE	8W	12W	10.5W	12W
EFFICACY	132lm/W	125lm/W	157lm/W	150lm/W
LUMENS	1,050lm	1,500lm	1,650lm	1,800lm
POWER FACTOR	>0.95			
THD	<20%			
VIEWING ANGLE	200°			
WIRING SCHEME	Single Ended or Double Ended			
CRI	Ra>80			
L70 Hours	>50,000			
CCT	3000K/3500K/4000K/5000K			
WORKING TEMP.	-20°C - +45°C			
ENVIRONMENT	Dry/Damp			
HOUSING	Glass/Nano			

ORDERING GUIDE

JLS68101-4-40K-F-10.5-SD-GLASS-S-10

MODEL	LENGTH	CCT	LENS	WATTS	TYPE	HOUSING	DRIVER	DIMMING
JLS68101	2 = 2 Foot 3 = 3 Foot 4 = 4 Foot	830K = 3000K 835K = 3500K 840K = 4000K 850K = 5000K	F = Frosted	8 = 8W* 12 = 12W** 10.5 = 10.5W*** 12 = 12W*** * 2 Foot Lamps ** 3 Foot Lamps *** 4 Foot Only	SD = Single or Double Ended	GLASS = Glass NANO = Nano	S = Standard FF = Flicker-Free	10 = 0-10V

Specifications are typical values and may change without notification

efficiency. illuminated.

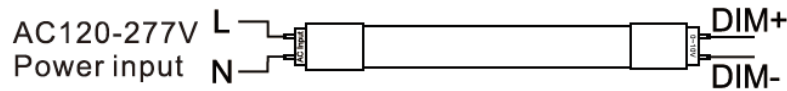


T8 TYPE B LED TUBE - 0-10V Dimmable

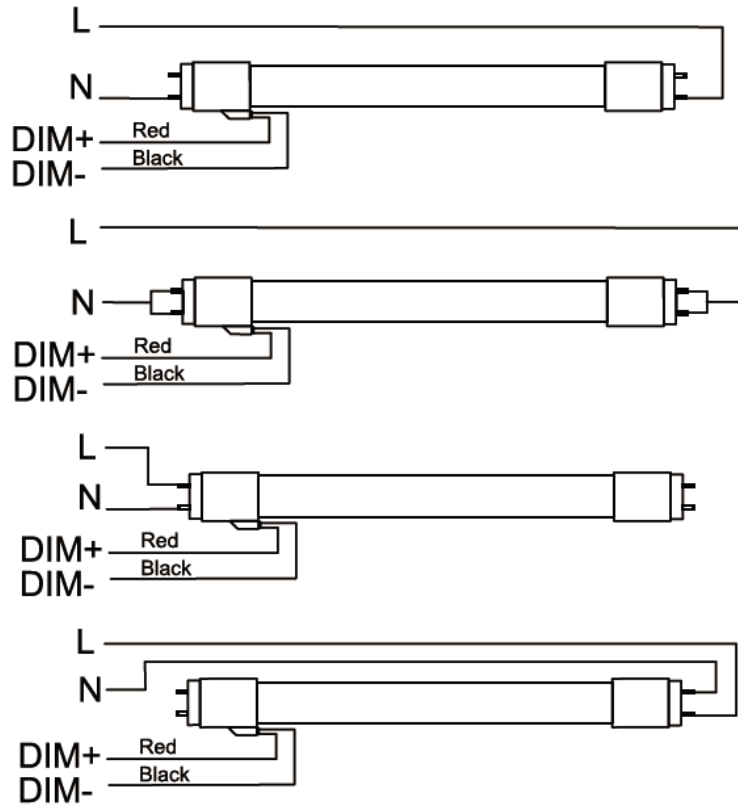
JAYKAL

Product	Length Pin to Pin (in.)	Length Base to Base (in.)	Diameter (in.)
4 Foot	47.71	47.165	1.125
3 Foot	35.55	23.11	1.125
2 Foot	23.77	23.14	1.125

WIRING DIAGRAMS



Single ended 0-10V dimming



Single & Double ended 0-10V dimming

Specifications are typical values and may change without notification

efficiency. illuminated.