



TYPE B T5 LAMPS

JAYKAL

PROJECT NAME:

JAYKAL LED SOLUTIONS, INC.

www.jaykal.net

PROJECT NOTES:

21499 Baltimore Ave.

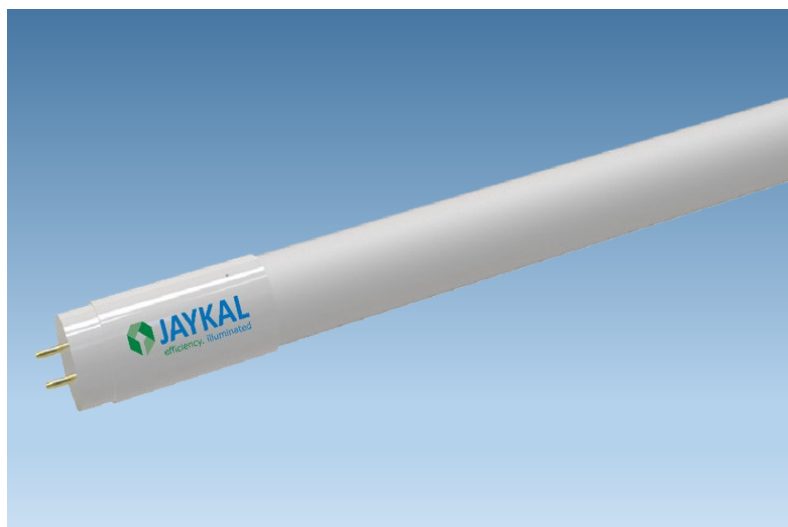
Georgetown, DE 19947

(P) 302-295-0015

(F) 302-295-0016

KEY FEATURES

- ◆ Shatterproof Glass
- ◆ Available in 2,3 and 4 ft. Lengths
- ◆ 100-277VAC Ballast Bypass
- ◆ CCT: 3000K/3500K/4000K/5000K
- ◆ 330° Viewing Angle
- ◆ TAA/BAA Available
- ◆ Suitable for Open and Enclosed Fixtures
- ◆ Compatible With Controls
- ◆ Drop Test Rating of 6 Feet
- ◆ For Use with Shunted and Unshunted Lampholders
- ◆ 5 Year Warranty 24/7 Operation
- ◆ Compatible with Emergency Backups (Contact Jaykal for Additional Information)



RoHS 
Compliant

Revised 3/15/23

Specifications are typical values and may change without notification

efficiency. illuminated.



TYPE B T5 LAMPS

JAYKAL

SPECIFICATIONS TABLE

INPUT VOLTAGE	100-277VAC 50/60hz
WATTAGE	13W
EFFICACY	138lm/W
LUMENS	1,800lm
POWER FACTOR	>0.9
THD	<20%
VIEWING ANGLE	330°
WIRING SCHEME	Single or Dual Ended
CRI	Ra > 80
L70 Hours	>63,000
CCT	3000K/3500K/4000K/5000K
WORKING TEMP.	-20°C - +45°C
ENVIRONMENT	Dry/Damp
HOUSING	Glass

ORDERING GUIDE

JLS68101-4T5-840K-F-13-DWD-GLASS-S

MODEL	LENGTH	CCT	LENS	WATTS	TYPE	HOUSING	DRIVER
JLS68101	2T5 = 2 Foot 3T5 = 3 Foot 4T5 = 4 Foot	830K = 3000K 835K = 3500K 840K = 4000K 850K = 5000K	F = Frosted	9 = 9W* 12 = 12W*&** 13 = 13W*** 16 = 16W** 25 = 25W*** * 2 Foot Only ** 3 Foot Only *** 4 Foot Only	DW = Direct Wire Single Ended DWD = Direct Wire Dual Ended	GLASS = GLASS	S = Standard

Not all product variations listed on this page are DLC qualified. Visit www.designlights.org/search to confirm qualification.

Contact Jaykal for additional product approval.

Specifications are typical values and may change without notification

efficiency. illuminated.

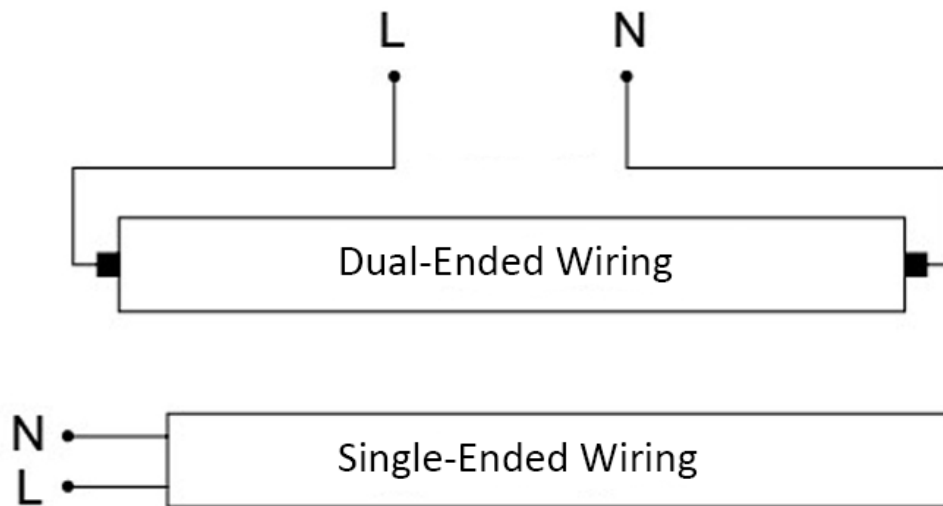


TYPE B T5 LAMPS

JAYKAL

Product	Length Pin to Pin (in.)	Length Base to Base (in.)	Diameter (in.)
4 Foot	45.79	45.19	0.63
3 Foot	33.97	33.38	0.63
2 Foot	22.16	21.57	0.63

WIRING DIAGRAMS



For Dual-Ended Lamps, the pins on each end of the lamp are internally shunted. The lamps may be used with shunted or un-shunted tombstones.

Specifications are typical values and may change without notification

efficiency. illuminated.