



G4 CANOPY LUMINAIRE

JAYKAL

PROJECT NAME:

JAYKAL LED SOLUTIONS, INC.

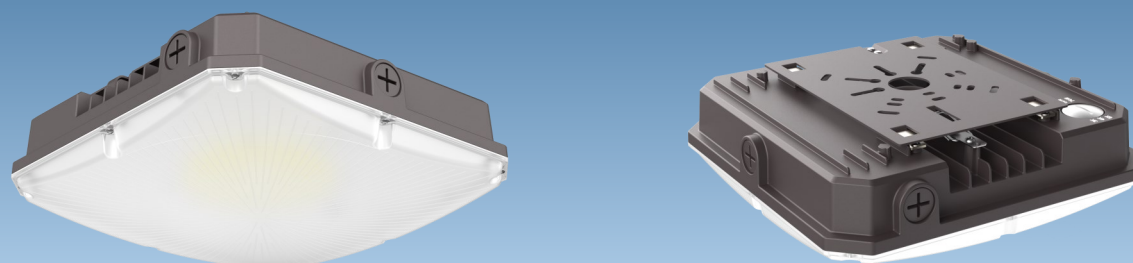
www.jaykal.net

PROJECT NOTES:

21499 Baltimore Ave.
Georgetown, DE 19947
(P) 302-295-0015
(F) 302-295-0016

FEATURES

- ◆ Wattage & CCT Selectable
- ◆ Wattage Options : 10W-70W
- ◆ High Efficacy of up to 135lm/W
- ◆ CCT Options : 3000K/4000K/5000K Selectable
- ◆ Die Cast aluminum cooling design, high quality and better cooling
- ◆ Excellent Optics design, greatly improve the light utilization and evenness
- ◆ 5 Year Warranty, 10 Year Optional



RoHS 
Compliant

Revised 11/9/23

Specifications are typical values and may change without notification

efficiency. illuminated.

G4 CANOPY LUMINAIRE



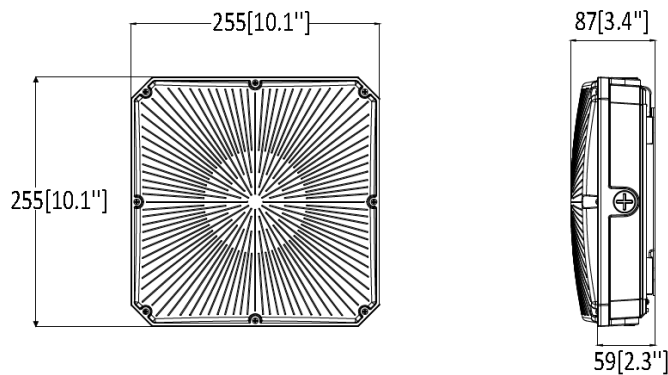
JAYKAL

SPECIFICATIONS TABLE

MODEL	JLS-G4SC		
INPUT VOLTAGE	120-277VAC		
TYPE	M1	M2	M3
WATTAGE	40W/20W/10W Selectable	55W/35W/25W Selectable	70W/60W/40W Selectable
EFFICACY	135lm/W		
LUMENS	5,400lm/2, 700lm/1,350lm	7,425lm/4,725lm/3,375lm	9,450lm/8,100lm/5,400lm
BUG RATING	B2-U0-G2	B2-U0-G2	B3-U0-G2
POWER FACTOR	>0.95		
THD	<20%		
L70 HOURS	>50,000 Hours		
CRI	>80		
CCT PRESETS	3000K / 4000K / 5000K Selectable		
DIMMING	0-10V		
DIMMING POWER RATING	<1mA		
BEAM ANGLE	120°		
SURGE PROTECTION	5KV		
OPERATING TEMP.	-30°C - 50°C		
IP RATING	IP65		
WARRANTY	5 Year Standard Warranty, 10 Year Optional		
FCC	FCC Title 47 CFR Part 18 compliance		
CERTIFICATIONS	ETL/DLC		

DIMENSIONS

MODEL	LENGTH	WIDTH	HEIGHT
JLS-G4SC	255mm/10.1 in.	255mm/10.1 in.	87mm/3.4 in.



Specifications are typical values and may change without notification

efficiency. illuminated.

G4 CANOPY LUMINAIRE



JAYKAL

ORDERING GUIDE

EXAMPLE: JLS-G4SC-M1-MCCT-M

MODEL	-	WATTAGE	-	CCT	-	OPTIONS
JLS-G4SC		M1 = 40W/20W/10W M2 = 55W/35W/25W M3 = 70W/60W/40W		MCCT = 3000K/4000K/5000K Selectable		Blank = No extra option PC = Photocell M = Motion Sensor EM = Emergency Back Up

Specifications are typical values and may change without notification

efficiency. illuminated.