



# G4SB-P LED Area Light / Street Light

**JAYKAL**

PROJECT NAME:

**JAYKAL LED SOLUTIONS, INC.**  
[www.jaykal.net](http://www.jaykal.net)

PROJECT NOTES:

21499 Baltimore Ave.

Georgetown, DE 19947

(P) 302-295-0015 (F) 302-295-0016

## FEATURES

- ◆ Adjustable Wattage (3 settings) Optional
- ◆ 0-10V Dimming
- ◆ IK08 Die-Cast Aluminum Housing with Tempered Glass Cover.
- ◆ Detachable Mounting Plate Fits Most Standard Junction Boxes or Can be Surface Mounted and Wired via Conduit Entries.



**RoHS**   
Compliant

( P ) 302-295-0015 | ( E ) [sales@jaykal.net](mailto:sales@jaykal.net) | ( W ) [www.jaykal.net](http://www.jaykal.net)

Revised 9/8/23

*Specifications are typical values and may change without notification*

**efficiency. illuminated.**



# G4SB-P LED Area Light / Street Light

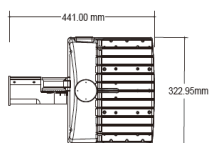
**JAYKAL**

## SPECIFICATIONS

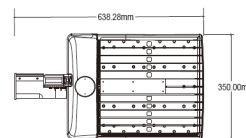
MODEL	JLS-G4SB-P-M1	JLS-G4SB-P-M2	JLS-G4SB-P-M3
WATTAGE	50W/60W/80W	100W/120W/150W	200W/240W/300W
INPUT VOLTAGE	100-277VAC 50/60Hz		
EFFICACY	135LM/W @4000K		
LUMENS	6,750/8,100/10,800	13,500/16,200/20,250	27,000/32,400/40,500
POWER FACTOR	>0.9		
EFFICIENCY OF DRIVER	≥90%		
CLASS LEVEL OF DRIVER	Class I		
THD	<20%		
CRI	>70		
L70 HOURS	161,000 Hours		
CCT	MCCT (3000K/4000K/5000K Adjustable)		
SURGE PROTECTION	5KV		
DIMMING	0-10V Dimming		
0-10V CURRENT	<3mA		
OPERATIONAL TEMP.	-30°C - 45°C (-22°F - 113°F)		
HOUSING MATERIAL	Die-Cast Aluminum		
IP RATING	IP65		
BUG	B3-U2-G2	B3-U3-G2	B4-U3-G3
EPA	1.29	1.29	2.28
IK RATING	IK08		
HOUSING FINISH	Bronze / Custom		
PROTECTION	Wet Location IP65		
WEIGHT	3.8 – 5.2kg (8.38 – 11.47 lbs )		
FCC	FCC Title 47 CFR Part 18 Compliance		
CERTIFICATIONS	ETL		
WARRANTY	5 Years (10 Years Available)		

## Dimensions

Dimension 1: (50W~150W)



Dimension 2: (200W~300W)



## ORDERING GUIDE

EXAMPLE: JLS-G4SB-P-M2-277-7MCCT-BR-P-SF-T3

MODEL	WATTAGE	VOLTAGE	CCT	COLOR	Control	MOUNTING	LENS
JLS-G4SB-P	M1 = 80W/60W/50W M2 = 150W/120W/100W M3 = 300W/240W/200W	277 = 120-277VAC 347 = 120-347VAC	7MCCT = 70CRI (3000K,4000K,5000K)	BR = Bronze	N = No option P = Photocell M = Motion Sensor PM = Photocell + Motion Sensor	SF = Slip Fitter SP = Square Pole WM = Wall Mount RP = Round Pole FM = (U-Bracket)	T3 = Type III T4 = Type IV T5 = Type V

( P ) 302-295-0015 | ( E ) sales@jaykal.net | ( W ) www.jaykal.net

Specifications are typical values and may change without notification

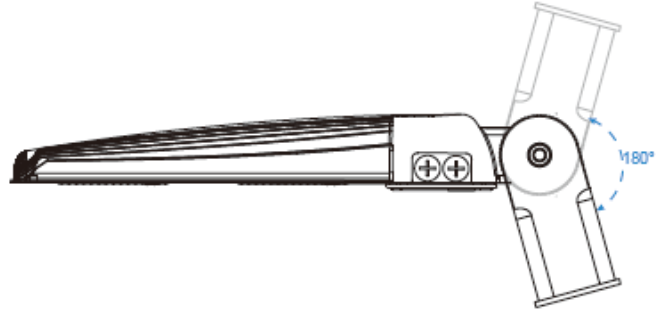
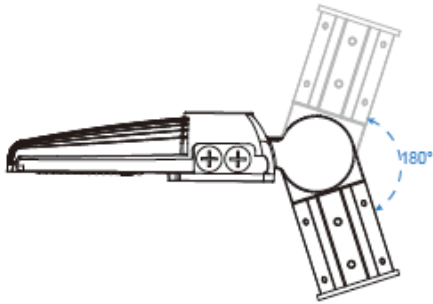
efficiency. illuminated.



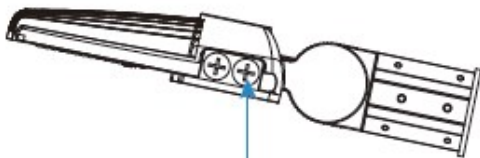
# G4SB-P LED Area Light / Street Light

JAYKAL

Bracket Angle 180° Adjustable

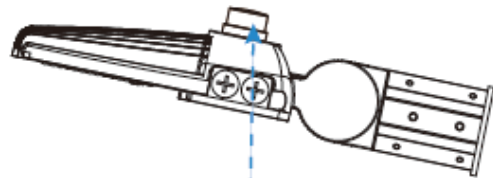


Built-in Photocell Option



Built-in photocell sensor

3 Pin / 5 Pin / 7 Pin Twist  
Lock Photocell Optional



NEMA photocell sensor

( P ) 302-295-0015 | ( E ) sales@jaykal.net | ( W ) www.jaykal.net

Specifications are typical values and may change without notification

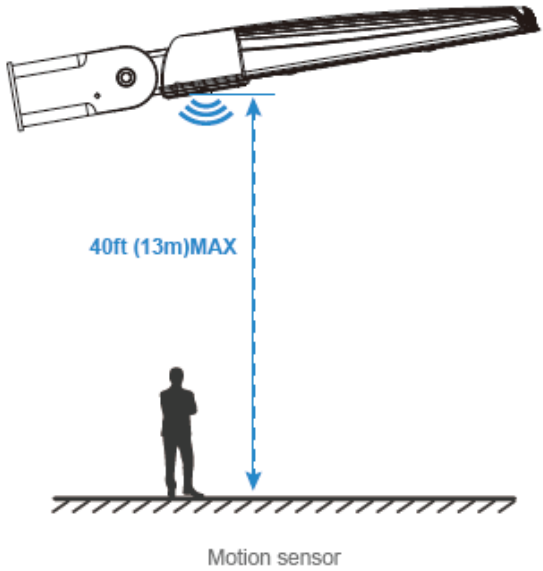
efficiency. illuminated.



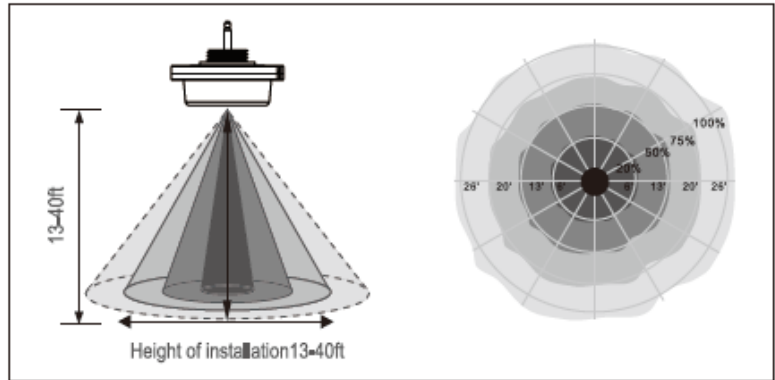
# G4SB-P LED Area Light / Street Light

JAYKAL

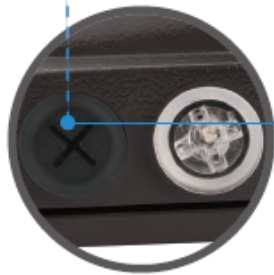
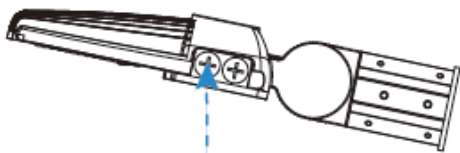
## Bi-level Microwave Sensor Optional



### SENSOR COVERAGE



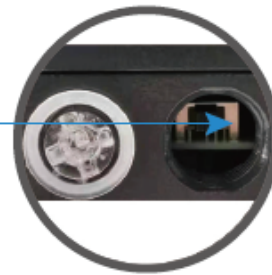
## DIP Switch Design, Three Wattage Selections



300W DIP

200W 240W 300W

1	2	3
---	---	---



150W DIP

80W 110W 150W

1	2	3
---	---	---

( P ) 302-295-0015 | ( E ) sales@jaykal.net | ( W ) www.jaykal.net

Specifications are typical values and may change without notification

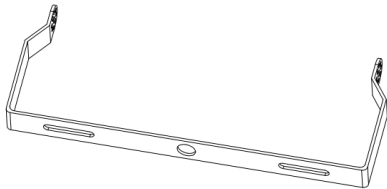
efficiency. illuminated.



# G4SB-P LED Area Light / Street Light

JAYKAL

## Different Mounting Bracket Options Available



Flood Light Mount (U-Bracket)

## Applications



Shopping Centers



Auto Dealership

( P ) 302-295-0015 | ( E ) sales@jaykal.net | ( W ) www.jaykal.net

Specifications are typical values and may change without notification

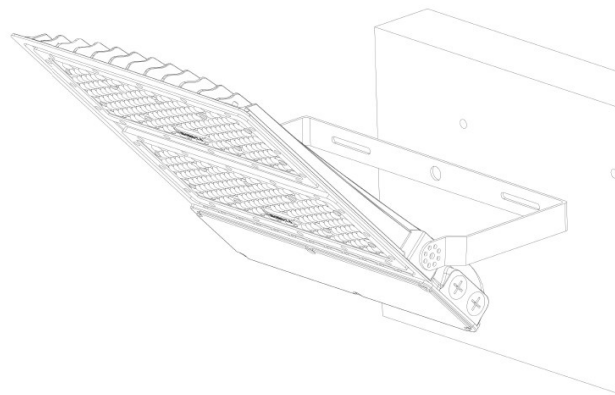
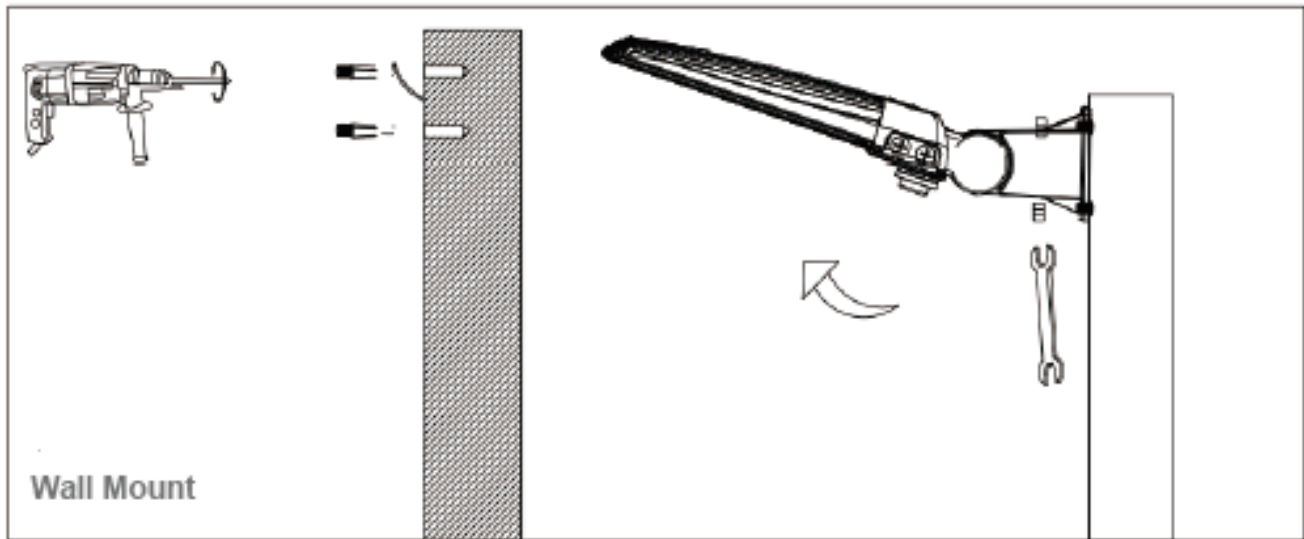
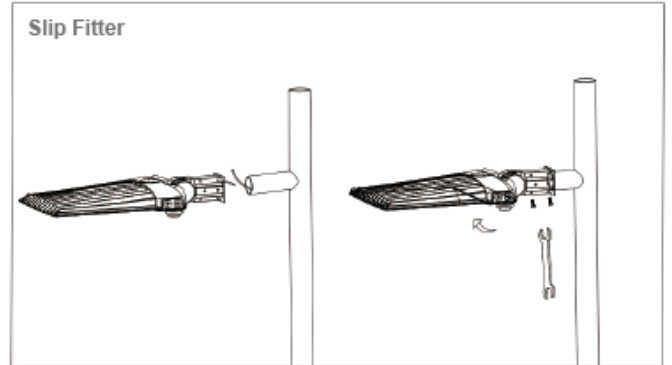
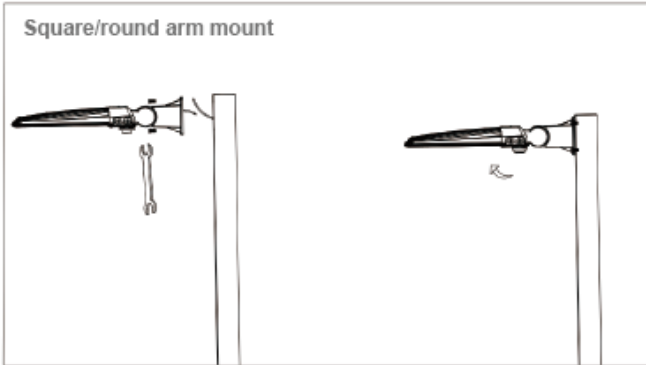
efficiency. illuminated.



# G4SB-P LED Area Light / Street Light

JAYKAL

## Installation



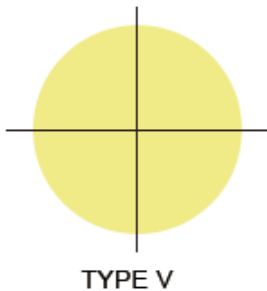
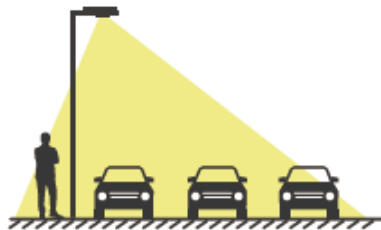
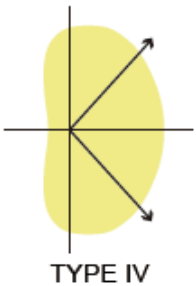
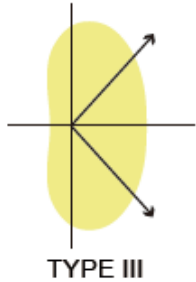
Flood Light Mount (U-Bracket)

( P ) 302-295-0015 | ( E ) sales@jaykal.net | ( W ) www.jaykal.net

Specifications are typical values and may change without notification

efficiency. illuminated.

## Type III ,Type IV ,Type V and Flood Lens Ordering Matrix



### Lens Distribution

T3

T3 = Type III ( 90 X 140 ° )

T4 =Type IV ( 100° X 140°)

T5 = Type V (120 °)

Flood Light Lens contain a Type V lighting distribution;  
typically used in applications with low mounting heights.

( P ) 302-295-0015 | ( E ) sales@jaykal.net | ( W ) www.jaykal.net

Specifications are typical values and may change without notification

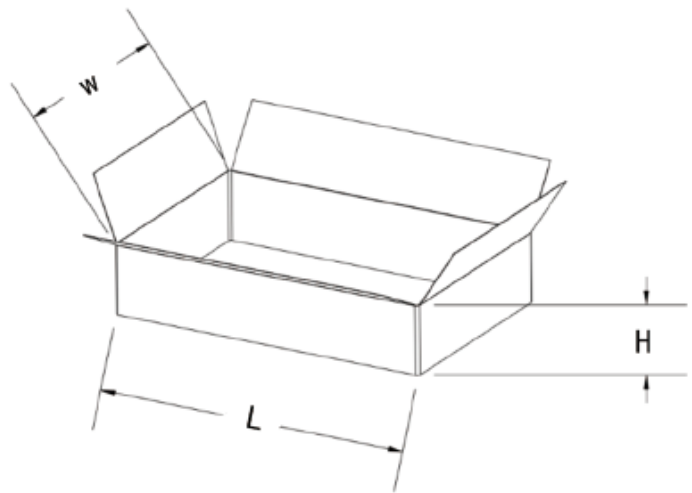
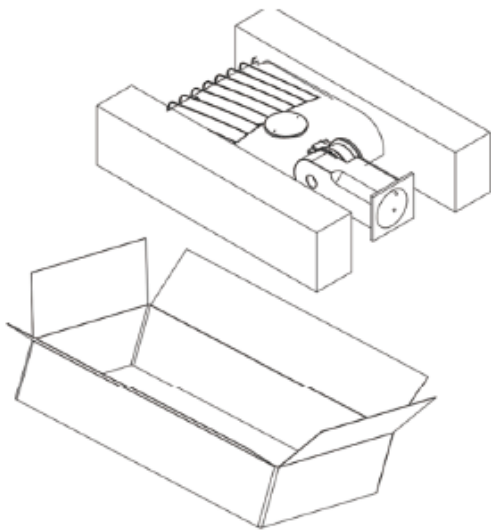
efficiency. illuminated.



# G4SB-P LED Area Light / Street Light

JAYKAL

Wattage	Product Size (mm/in)	Package Size (mm/in)	N.W (Kg/lb)	G.W (Kg/lb)	QTY
50W	340x322x77.5mm 13.39x12.68x3.05 in	580x400x130mm 22.83x15.75x5.12in	3.8Kg (8.38lb)	4.8Kg (10.59lb)	1PCS
100W/M1	340x322x77.5mm 13.39x12.68x3.05 in	580x400x130mm 22.83x15.75x5.12in	3.8Kg (8.38lb)	4.8Kg (10.59lb)	1PCS
150W/M2	340x322x77.5mm 13.39x12.68x3.05 in	580x400x130mm 22.83x15.75x5.12in	3.8Kg (8.38lb)	4.8Kg (10.59lb)	1PCS
200W	538x354x72mm 21.18x13.94x2.83in	610x410x130mm 24.02x16.14x5.12in	5.2Kg (11.47lb)	6.7Kg (14.78lb)	1PCS
240W	538x354x72mm 21.18x13.94x2.83in	610x410x130mm 24.02x16.14x5.12in	5.2Kg (11.47lb)	6.7Kg (14.78lb)	1PCS
300W/M3	538x354x72mm 21.18x13.94x2.83in	610x410x130mm 24.02x16.14x5.12in	5.2Kg (11.47lb)	6.7Kg (14.78lb)	1PCS



( P ) 302-295-0015 | ( E ) sales@jaykal.net | ( W ) www.jaykal.net

Specifications are typical values and may change without notification

efficiency. illuminated.