

G4 LED FLOOD LIGHT



JAYKAL

PROJECT NAME:

JAYKAL LED SOLUTIONS, INC.

www.jaykal.net

PROJECT NOTES:

21499 Baltimore Ave.

Georgetown, DE 19947

(P) 302-295-0015

FEATURES

- ◆ Wattage Options : 15W/30W/50W/60W/80W/100W
- ◆ Lumen Package 130lm/W
- ◆ Input 100-277VAC
- ◆ Cast Aluminum Construction Provides Superior Cooling Performance, LED Tj<85
- ◆ Excellent Optical Design Optimizes Light Utilization and Distribution.



RoHS 
Compliant

Revised 9/18/23

Specifications are typical values and may change without notification

efficiency. illuminated.

G4 LED FLOOD LIGHT



JAYKAL

SPECIFICATIONS		
TYPE	M1	M2
WATTAGE	15W/30W/50W	60W/80W/100W
INPUT VOLTAGE	100-277VAC 50/60HZ	
EFFICACY	130LM/W	
LUMENS	1,950/3,900/6,500	7,800/10,400/13,000
BUG RATING	B2-U1-G1	B3-U2-G2
POWER FACTOR	>0.9	
EFFICIENCY OF DRIVER	≥90%	
CLASS LEVEL OF DRIVER	Class I	
THD	<15%	
SURGE PROTECTION	5KV	
DIMMING	0-10V	
DIMMING POWER RATING	<3mA	
CRI	70	
L70	>100,000 Hours	
CCT	3000K/4000K/5000K/MCCT (Only for M2)	
OPERATIONAL TEMP.	-40°C - 50°C (-4°F - 122°F)	
HOUSING MATERIAL	Die-Cast Aluminum	
IP RATING	IP65	
HOUSING FINISH	Bronze / Black / Custom	
FCC	FCC Title 47 CFR Part 18 compliance	
CERTIFICATIONS	UL/DLC/Comply with FCC	
WARRANTY	5 Years (10 Years Available)	

Specifications are typical values and may change without notification

efficiency. illuminated.

G4 LED FLOOD LIGHT

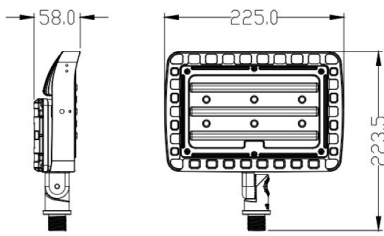


JAYKAL

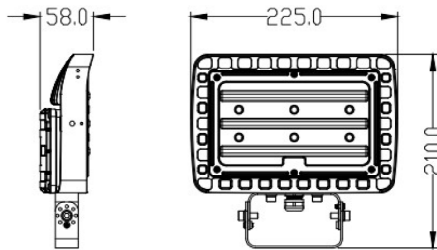
DIMENSIONS (Unit : mm)

M1 (15W/30W/50W)

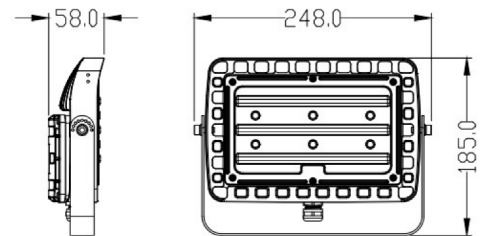
Knuckle Mount



Trunnion Mount

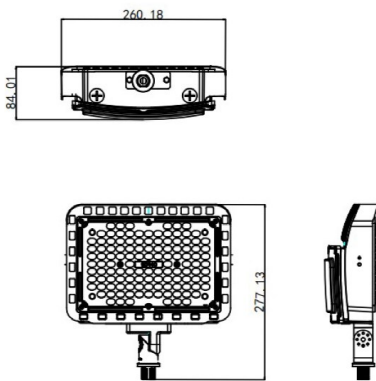


Flood Mount

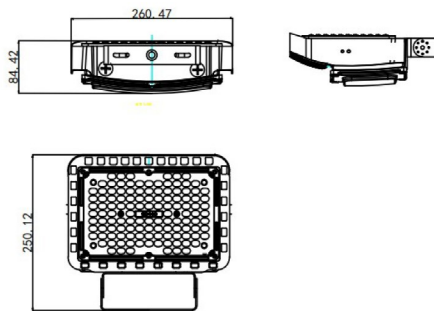


M2 (60W/80W/100W)

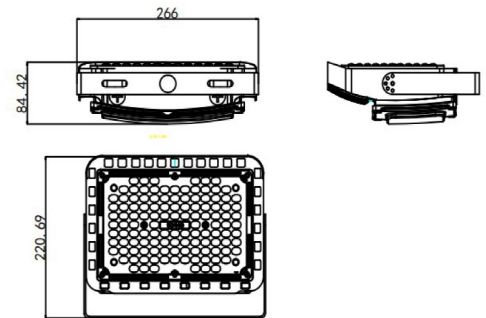
Knuckle Mount



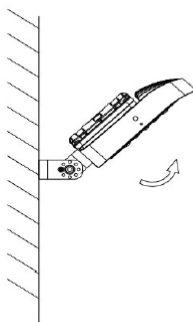
Trunnion Mount



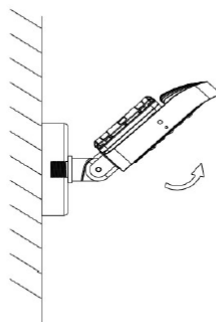
Flood Mount



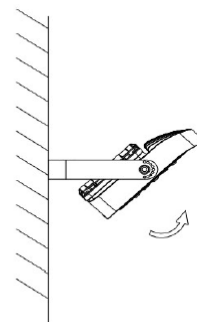
MOUNTING OPTIONS



Trunnion Mount



Knuckle Mount



Flood Mount

Specifications are typical values and may change without notification

efficiency. illuminated.

G4 LED FLOOD LIGHT



JAYKAL

ORDERING GUIDE

EXAMPLE: JLS-G4FL-M1-277-750K-BR-PC-K

MODEL	VOLTAGE	WATTAGE	CCT	FINISH	CONTROLS	MOUNT
JLS-G4FL	M1 = 15W/30W/50W M2 = 60W/80W/100W	277 = 120-277V	730K = 3000K 740K = 4000K 750K = 5000K 7MCCT = 3000K/4000K/5000K * * Only for M2	B = Black BR = Bronze	N = No option P = Photocell	K = Knuckle Mount T = Trunion Mount F = Flood Mount

Specifications are typical values and may change without notification

efficiency. illuminated.