



TYPE B NANO SERIES T8 LAMPS

JAYKAL

PROJECT NAME:

JAYKAL LED SOLUTIONS, INC.

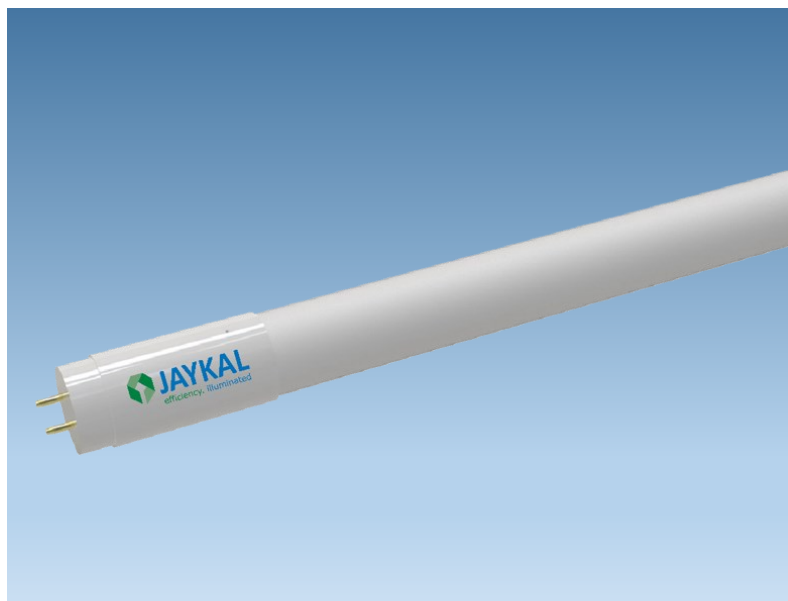
www.jaykal.net

PROJECT NOTES:

26832 Lewes Georgetown Hwy,
Building 2, Unit E
Harbeson, DE 19951
(P) 302-295-0015
(F) 302-295-0016

KEY FEATURES

- ◆ Shatterproof Nano Polymer
- ◆ Available in 2,3 and 4 ft. Lengths
- ◆ 100-277VAC Ballast Bypass
- ◆ CCT: 3000K/3500K/4000K/5000K
- ◆ 330° Viewing Angle
- ◆ TAA/BAA Available
- ◆ Suitable for Open and Enclosed Fixtures
- ◆ Compatible With Controls
- ◆ Drop Test Rating of 6 Feet
- ◆ UL94-V-0 Fire Rating
- ◆ For Use with Shunted and Unshunted Lampholders
- ◆ 5 Year Warranty 24/7 Operation
- ◆ Flicker Free Option
- ◆ Compatible with Emergency Backups (Contact Jaykal for Additional Information)



RoHS 
Compliant

Revised 4/13/20

Specifications are typical values and may change without notification

efficiency. illuminated.



TYPE B NANO SERIES T8 LAMPS

JAYKAL

SPECIFICATIONS TABLE

INPUT VOLTAGE	100-277VAC 50/60hz					
WATTAGE	6W	7W	10W	11W	12W	15W
EFFICACY	≈150lm/W	≈150lm/W	≈170lm/W	≈150lm/W	≈150lm/W	≈150lm/W
LUMENS	900lm	1,050lm	1,700lm	1,650lm	1,800lm	2,250lm
POWER FACTOR	>0.9					
THD	<20%					
FLICKER FREE OPTION	Coefficient (Kn Value) @ 277VAC/60Hz 0.5%					
BEAM ANGLE	188°					
VIEWING ANGLE	330°					
WIRING SCHEME	Dual Ended					
CRI	Ra > 80					
L70 Hours	>63,000					
CCT	3000K/3500K/4000K/5000K					
WORKING TEMP.	-20°C - +45°C					
ENVIRONMENT	Dry/Damp					
HOUSING	Nano-Polymer					

ORDERING GUIDE

JLS68101-4-40K-F-11-DWD-NANO-S

MODEL	LENGTH	CCT	LENS	WATTS	TYPE	HOUSING	DRIVER
JLS68101	2 = 2 Foot 3 = 3 Foot 4 = 4 Foot	30K = 3000K 35K = 3500K 40K = 4000K 50K = 5000K	F = Frosted	6 = 6W* 7 = 7W* 10 = 10W** 11 = 11W*** 12 = 12W*** 15 = 15W*** * 2/3 Foot Lamps ** 3/4 Foot Lamps *** 4 Foot Only	DW = Direct Wire Single Ended DWD = Direct Wire Dual Ended	NANO = Nano-Polymer	S = Standard FF = Flicker Free



Not all product variations listed on this page are DLC qualified. Visit www.designlights.org/search to confirm qualification.

Contact Jaykal for additional product approval.

Specifications are typical values and may change without notification

efficiency. illuminated.

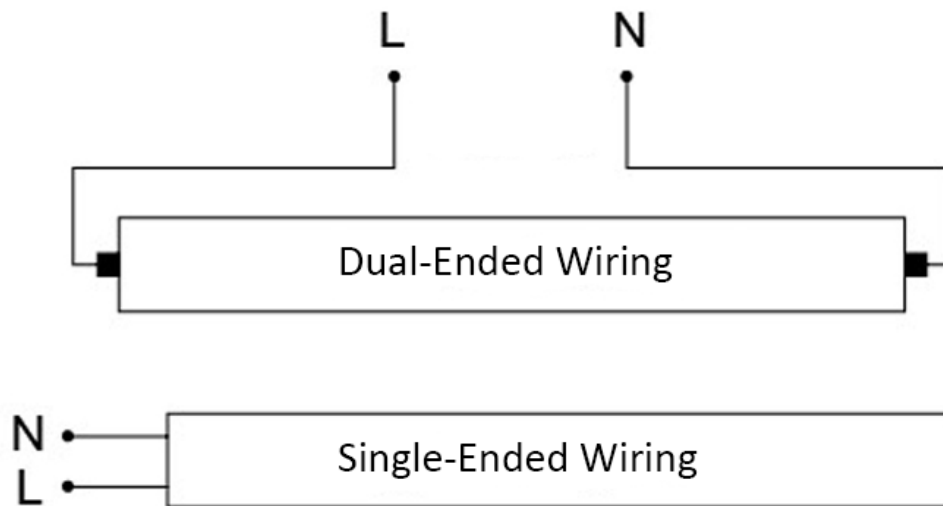


TYPE B NANO SERIES T8 LAMPS

JAYKAL

Product	Length Pin to Pin (in.)	Length Base to Base (in.)	Diameter (in.)
4 Foot	47.71	47.165	1.125
3 Foot	35.55	23.11	1.125
2 Foot	23.77	23.14	1.125

WIRING DIAGRAMS



For Dual-Ended Lamps, the pins on each end of the lamp are internally shunted. The lamps may be used with shunted or un-shunted tombstones.

Specifications are typical values and may change without notification

efficiency. illuminated.