



### WARNING!

#### PLEASE READ ALL INSTRUCTIONS PRIOR TO INSTALLATION

- To prevent personal injury or product damage this product should only be installed by a licensed electrician.
- To avoid electrical shock or component damage, disconnect the power circuit before attempting installation or service.
- This product must be installed in accordance with the National Electrical Code (NEC) and all applicable federal, state and local electrical codes and safety standards.
- Product that has been in operation may be hot. Please disconnect and allow the product to cool before servicing.
- Any alteration or modification of this product is expressly forbidden as it may cause serious personal injury, death, property damage and/or product malfunction.
- To prevent product malfunctions and/or electrical shock this product must be properly grounded.
- This luminaire is designed to operate in ambient temperatures ranging from -30°C to 40°C and to be horizontally mounted with the LEDs facing down.

**These instructions are suitable for the LHB model numbers listed below:**

**JLS68102-LHB-G60**

**JLS68102-LHB-G80**

**JLS68102-LHB-G100**

**JLS68102-LHB-G150**

**JLS68102-LHB-G200**

**JLS68102-LHB-G300**



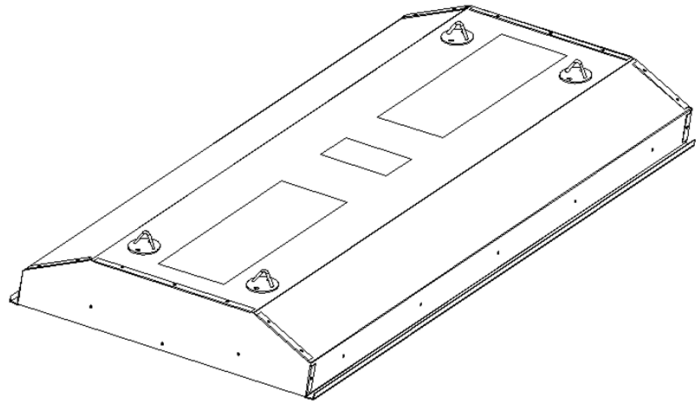
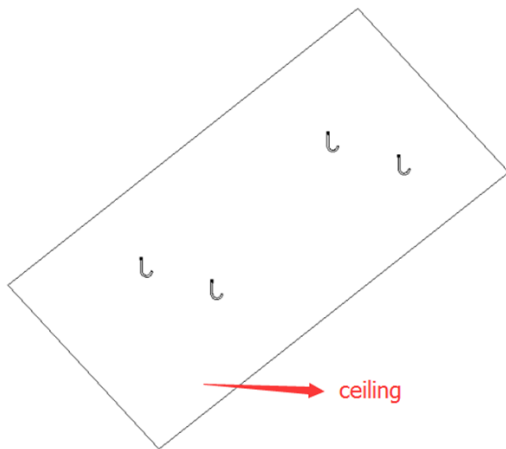
**JAYKAL**

## MOUNTING GUIDES

### HANGER CHAIN/AIRCRAFT CABLE MOUNT

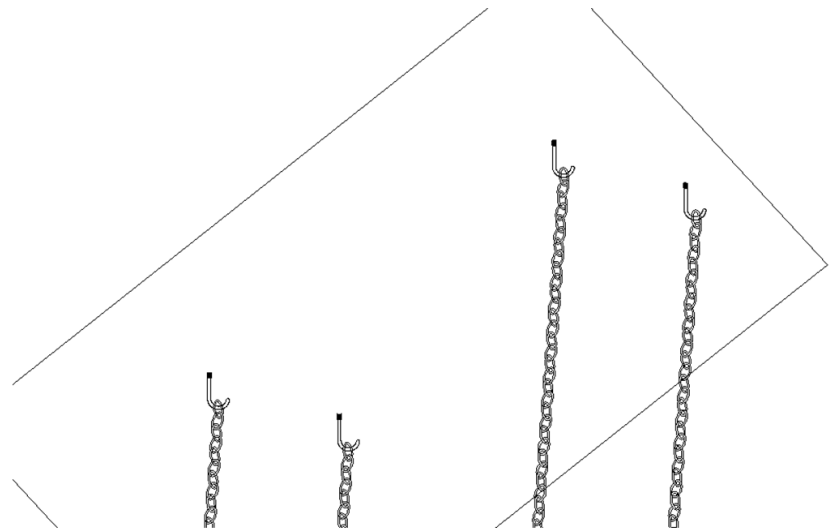
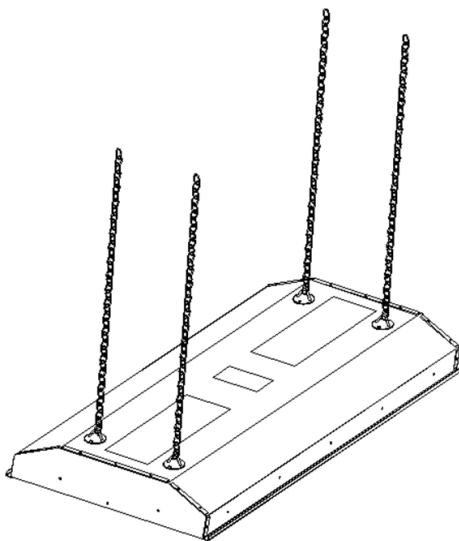
#### 1. HOOK INSTALLATION

Install four hooks on the ceiling. Position of the ceiling hooks at the same dimensions as the eyelets on the LHB fixture.



#### 2. CHAIN/AIRCRAFT CABLE INSTALLATION

Trim chains or aircraft cable to the desired length and install them onto the four ceiling hooks. Lift the fixture into position and attach the chains to the corresponding eyelet on the fixture.



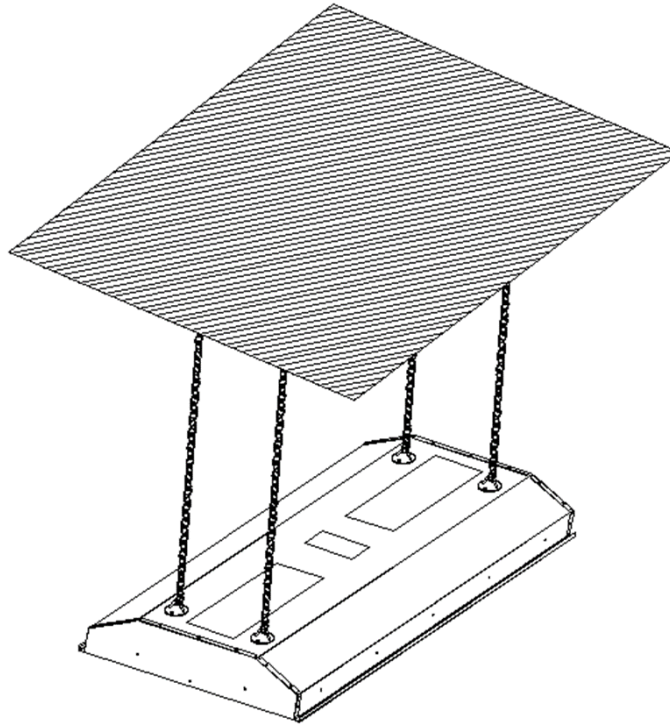
(P) 302-295-0015 | (E) sales@jaykal.net | (W) www.jaykal.net

efficiency. illuminated.



### 3. COMPLETE INSTALLATION

With a level, confirm fixture is level in both directions. Complete the installation by wiring the fixture to the AC power source.



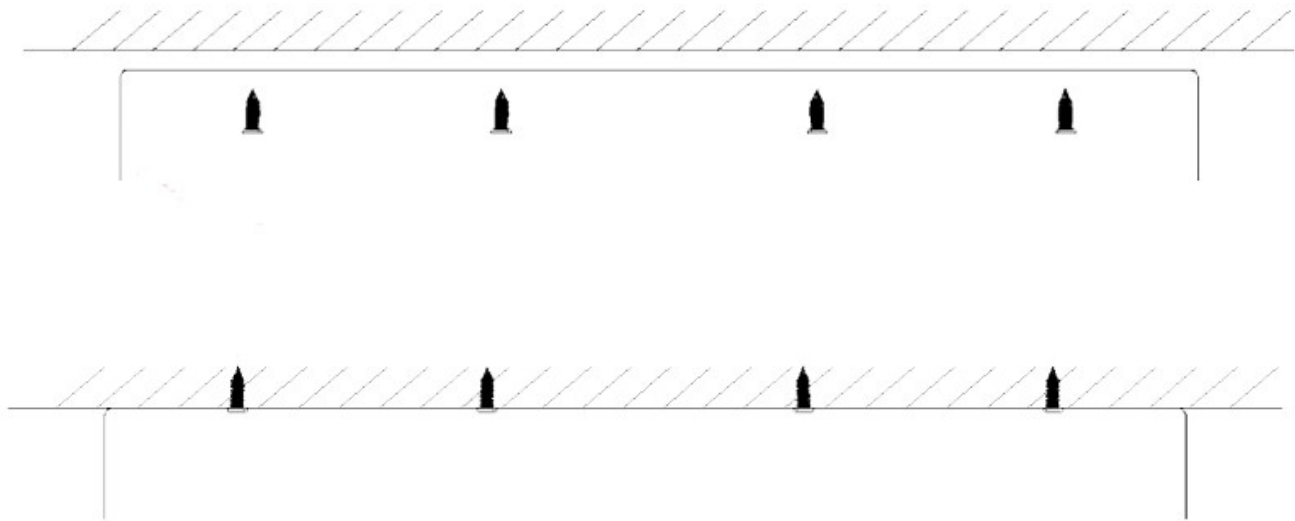


MOUNTING GUIDES

DIRECT CEILING MOUNT

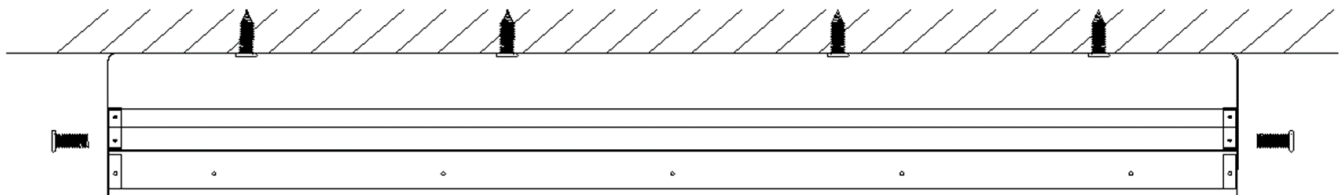
1. U-BRACKET INSTALLATION

Using the U shaped bracket (provided with the LHB) as a template, mark the locations for the screws on the ceiling. The secure installation of the bracket to the ceiling depends upon the proper selection of mounting hardware (not provided). Please use the appropriate hardware to secure the bracket safely to the ceiling.



2. INSTALL LARGE RETAINER SCREWS

Connect the main housing of fixture to U shaped bracket with the two large bolts.





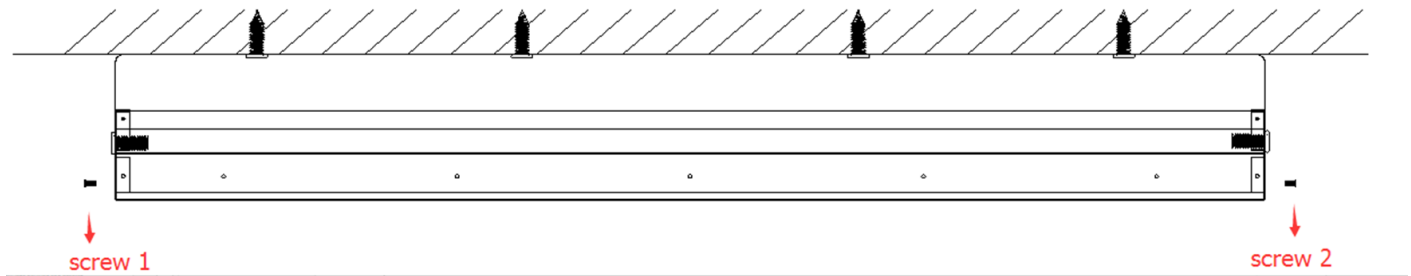
## MOUNTING GUIDES

JAYKAL

### DIRECT CEILING MOUNT

#### 3. INSTALL SMALL RETAINER SCREWS

Install the two smaller screws through the bracket into the housing. Now tighten the large and small screws to firmly secure the fixture to the bracket.



#### 3. COMPLETE INSTALLATION

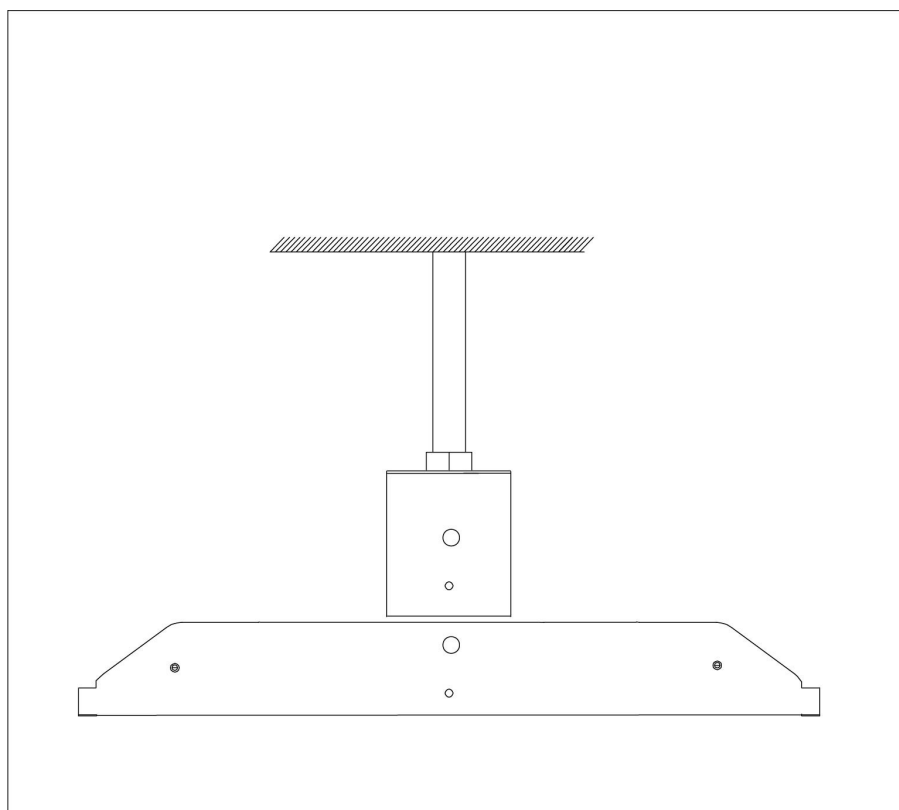
Complete the installation by wiring the fixture to the AC power source.



PENDANT MOUNT

1. PENDANT INSTALLATION

Install the U-Bracket onto the pendant mounting pipe using the center hole provided in the U-Bracket. Attach the fixture to the U – Bracket see (U-Bracket Installation Steps 2 and 3).



2. INSTALL A SAFETY CABLE

A safety cable (not provided) should be installed to prevent injury in the event of the pendant mounting pipe encounters a failure.

3. COMPLETE INSTALLATION

Complete the installation by wiring the fixture to the AC power source.



JAYKAL

## QUALITY ASSURANCE

- ◆ Quality assurance is contingent upon on the proper storage, transportation, proper packaging, installation, and performance of ongoing maintenance.
- ◆ Damages caused by improper installation or unintended applications are not covered under warranty.
- ◆ During the warranty period, the manufacturer will provide appropriate support and repair services as described in the warranty.

## SAFETY

- ◆ Be aware of product features, size, dimensions, weight etc. during handling and installation.
- ◆ Handle with care during transportation and installation.
- ◆ Do not touch lamps or fixtures while the power is on.
- ◆ Heat is normal when lamps or fixtures are powered on, please use caution when working near fixtures.

## WARNING

- ◆ JAYKAL Flood Lights must be installed in accordance with the product specifications and instructions, by a lighting or electrical professional.
- ◆ Avoid fire and electric shock hazards. When installing the lighting fixtures, you must be familiar with the electrical environment, wiring, etc. Do not install this product if you are unsure of the required electrical codes. Contact your electrician.
- ◆ Prior to installation, be sure to have a sound understanding of all structural features, as well as product dimensions.
- ◆ Do not drill new holes or make changes to the existing wiring or product design during installation.